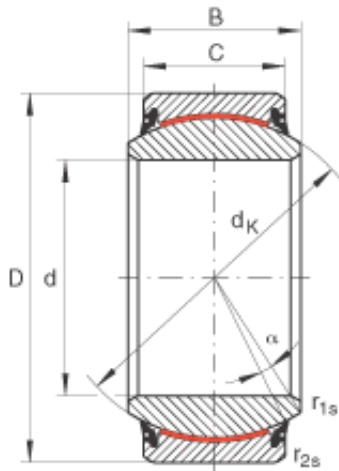




CYRE BEARING LTD



GE240-UK-2RS Bearing 2D drawings and 3D CAD models

INA GE240-UK-2RS GERMANY Bearing

Bearing No. GE240-UK-2RS

Size	240x340x140 mm
Bore Diameter	240 mm
Outer Diameter	340 mm
Width	140 mm
C	100 mm
$D_{a \min}$	295 mm
$d_{a \max}$	265,3 mm
d_K	300 mm
$r_{1s \min}$	1,1 mm
$r_{2s \min}$	1,1 mm
alf (°)	8
Weight (kg)	39
C_r (N)	7200000
C_{Or} (N)	12000000
Category	Spherical Plain Bearings - Radial
Inventory	0.0
Manufacturer Name	SCHAEFFLER GROUP
Minimum Buy Quantity	N/A
Weight / Kilogram	39.4
Product Group	B04286
Component	Complete with Outer and Inner Ring
Self Aligning	Yes
Rolling Element	Spherical Plain Bearing
Material - Outer Member	Steel



CYRE BEARING LTD

Material - Ball	Steel
Material - Liner	PTFE
Relubricatable	No
Enclosure	2 Seals
Other Features	2 Piece Axially Split Outer Ring
Long Description	240MM Bore; 100MM Housing Width; 340MM Outside Diameter; Complete with Outer and Inner Ring; Self Aligning; Spherical Plain Bearing; Steel Outer Member; Steel Ball; PTFE Liner; 2 Seals; 140MM Overall
Inch - Metric	Metric
Category	Plain Bearings Spherical Radial
UNSPSC	31171515
Harmonized Tariff Code	8483.30.80.70
Noun	Bearing
Keyword 3	Spherical
Keyword String	Plain Radial Spherical
Manufacturer URL	http://www.ina.com
Manufacturer Item Number	GE240UK2RS
Weight / LBS	88.2
Overall Width	5.512 Inch 140 Millimeter
Bore	9.449 Inch 240 Millimeter
Outside Diameter	13.386 Inch 340 Millimeter
Housing Width	3.937 Inch 100 Millimeter