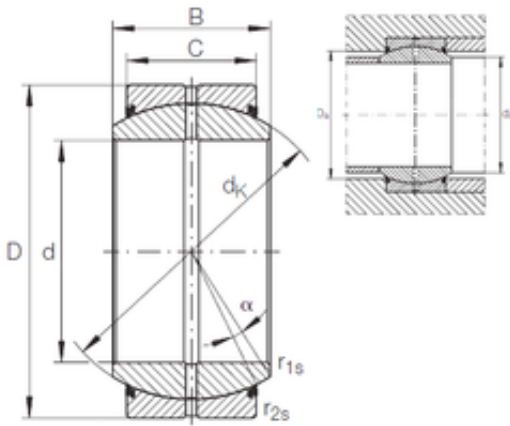




## CYRE BEARING LTD

80 mm x 120 mm x 55 mm INA GE 80 DO-2RS  
GERMANY Bearing 80\*120\*80



GE 80 DO-2RS Bearing 2D drawings and 3D CAD models

Bearing No. GE 80 DO-2RS

Size	80x120x55 mm
Bore Diameter	80 mm
Outer Diameter	120 mm
Width	55 mm
d	80 mm
D	120 mm
B	55 mm
C	45 mm
dk	105 mm
r1 min.	1 mm
r2 min.	1 mm
da max	89,4 mm
Da min	99 mm
Angle	6 °
Weight	2,2 Kg
Basic dynamic load rating (C)	400 kN