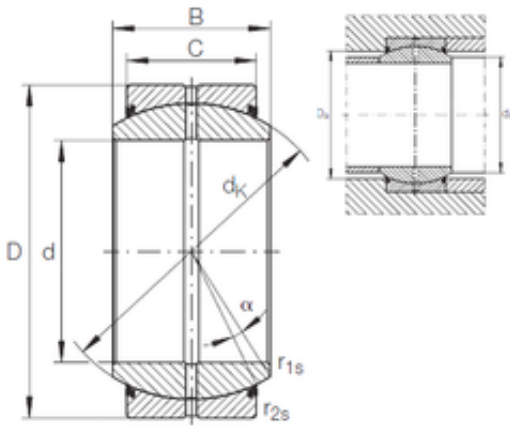




CYRE BEARING LTD

220 mm x 320 mm x 135 mm INA GE 220 DO-2RS GERMANY Bearing 220X320X135

Bearing No. GE 220 DO-2RS



GE 220 DO-2RS Bearing 2D drawings and 3D CAD models

Size	220x320x135 mm
Bore Diameter	220 mm
Outer Diameter	320 mm
Width	135 mm
d	220 mm
D	320 mm
B	135 mm
C	100 mm
dk	275 mm
r1 min.	1,1 mm
r2 min.	1,1 mm
da max	239,5 mm
Da min	267 mm
Angle	8 °
Weight	35,4 Kg
Basic dynamic load rating (C)	2320 kN