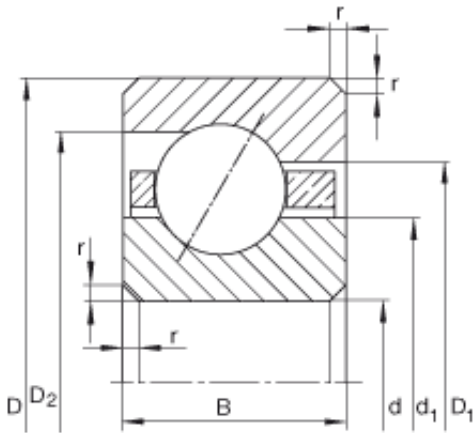




CYRE BEARING LTD

4 inch x 120,65 mm x 9,525 mm INA CSEC040
GERMANY Bearing 20*47*14

Bearing No. CSEC040



CSEC040 Bearing 2D drawings and 3D CAD models

Size	101.6x120.65x9.525 mm
Bore Diameter	101,6 mm
Outer Diameter	120,65 mm
Width	9,525 mm
d	101,6 mm
d	4 inch
D	120,65 mm
B	9,525 mm
D ₁	113,6 mm
D ₂	115,7 mm
d ₁	108,6 mm
r _{min}	1 mm
m	0,2 kg / Weight
C _r	8000 N / Dynamic load rating (radial)
C _{0r}	10100 N / Static load rating (radial)